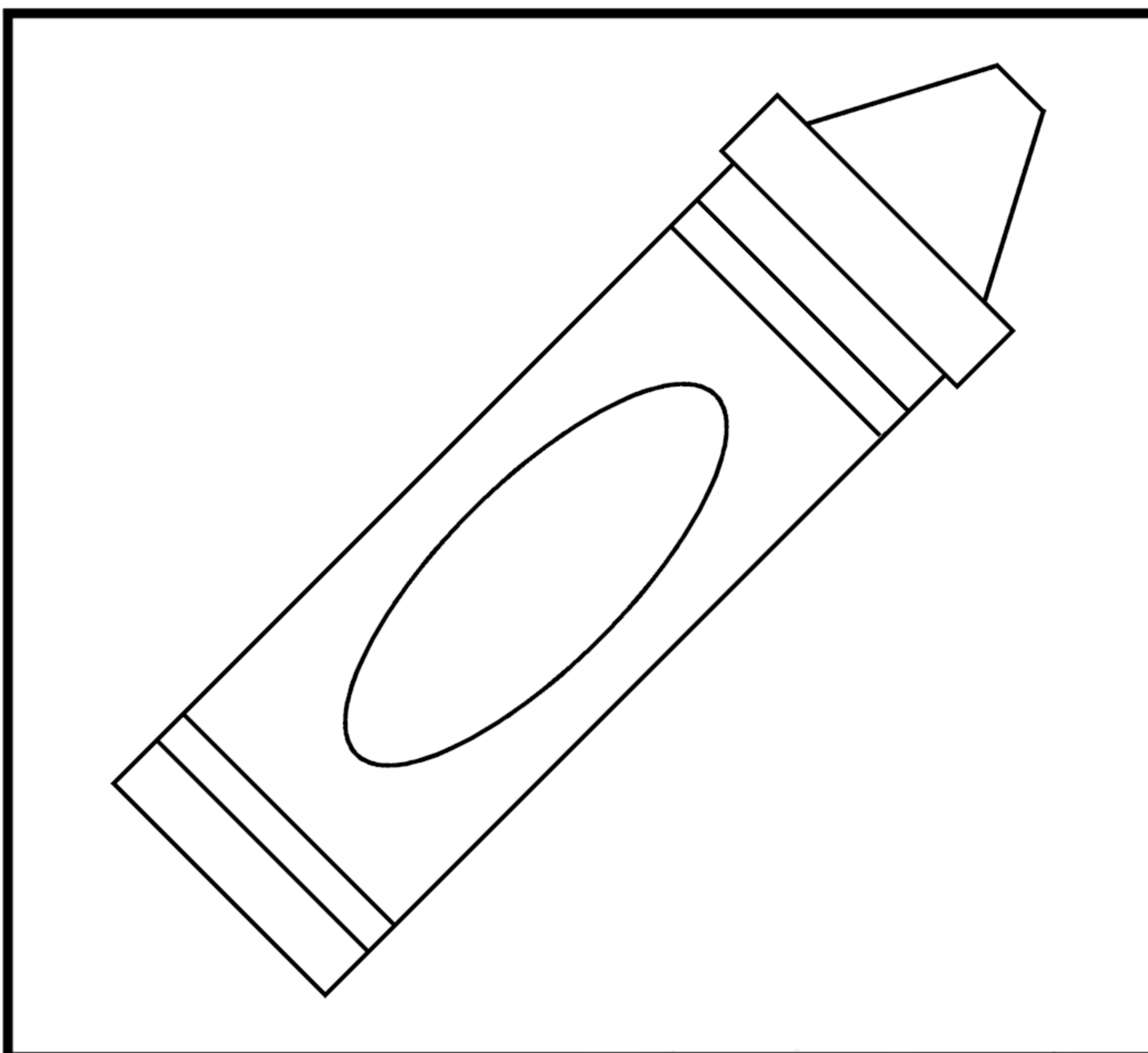
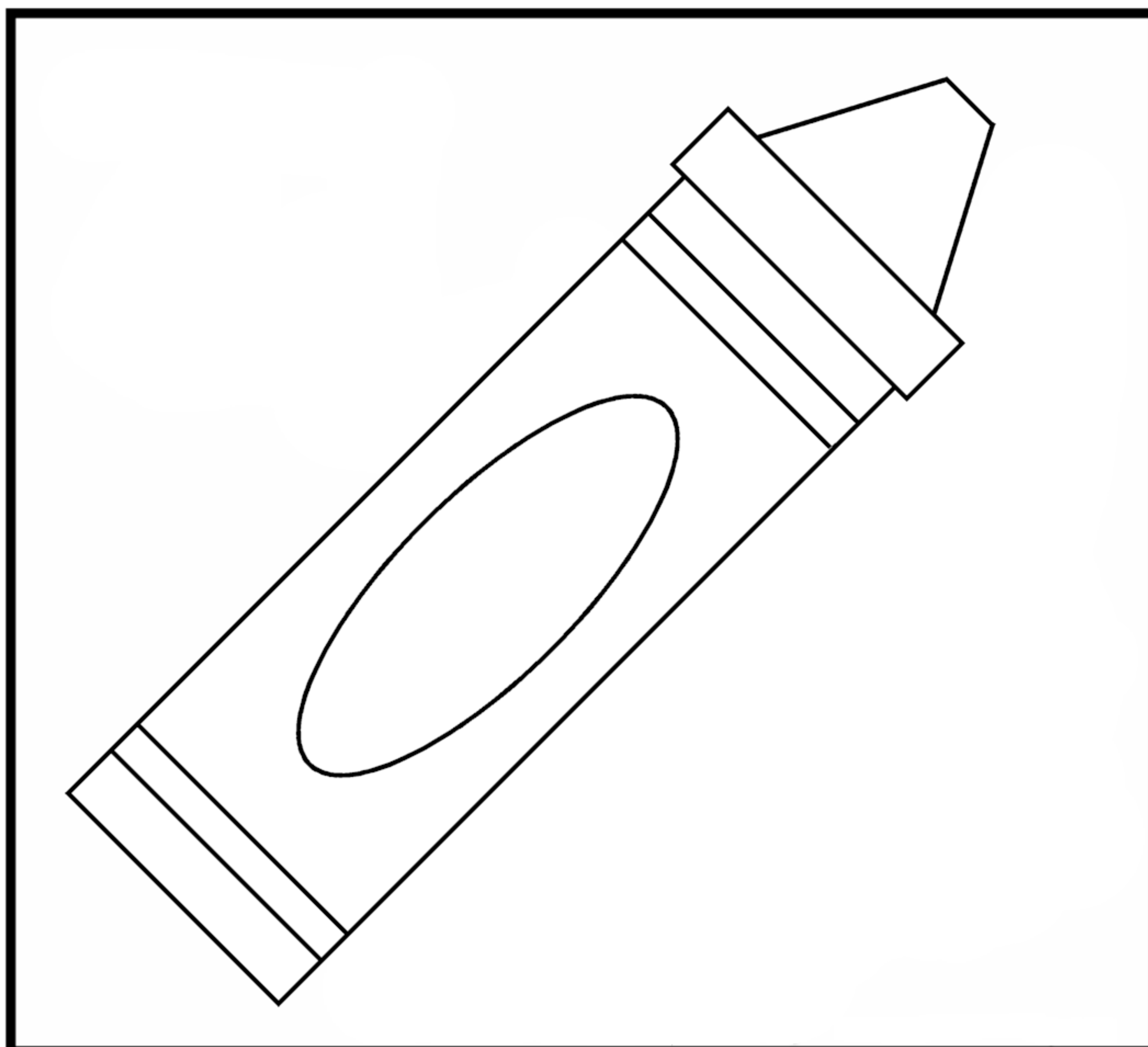
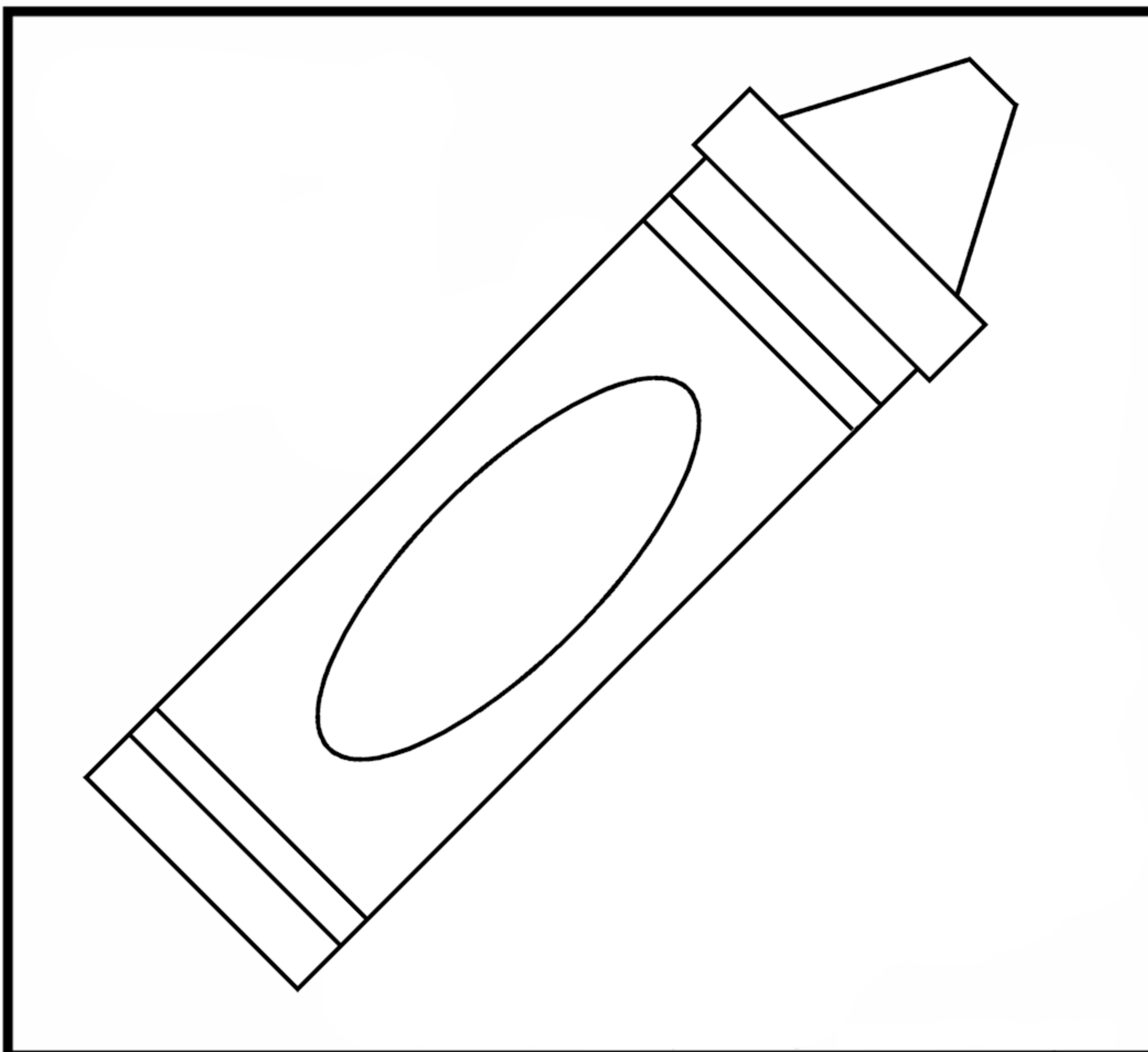
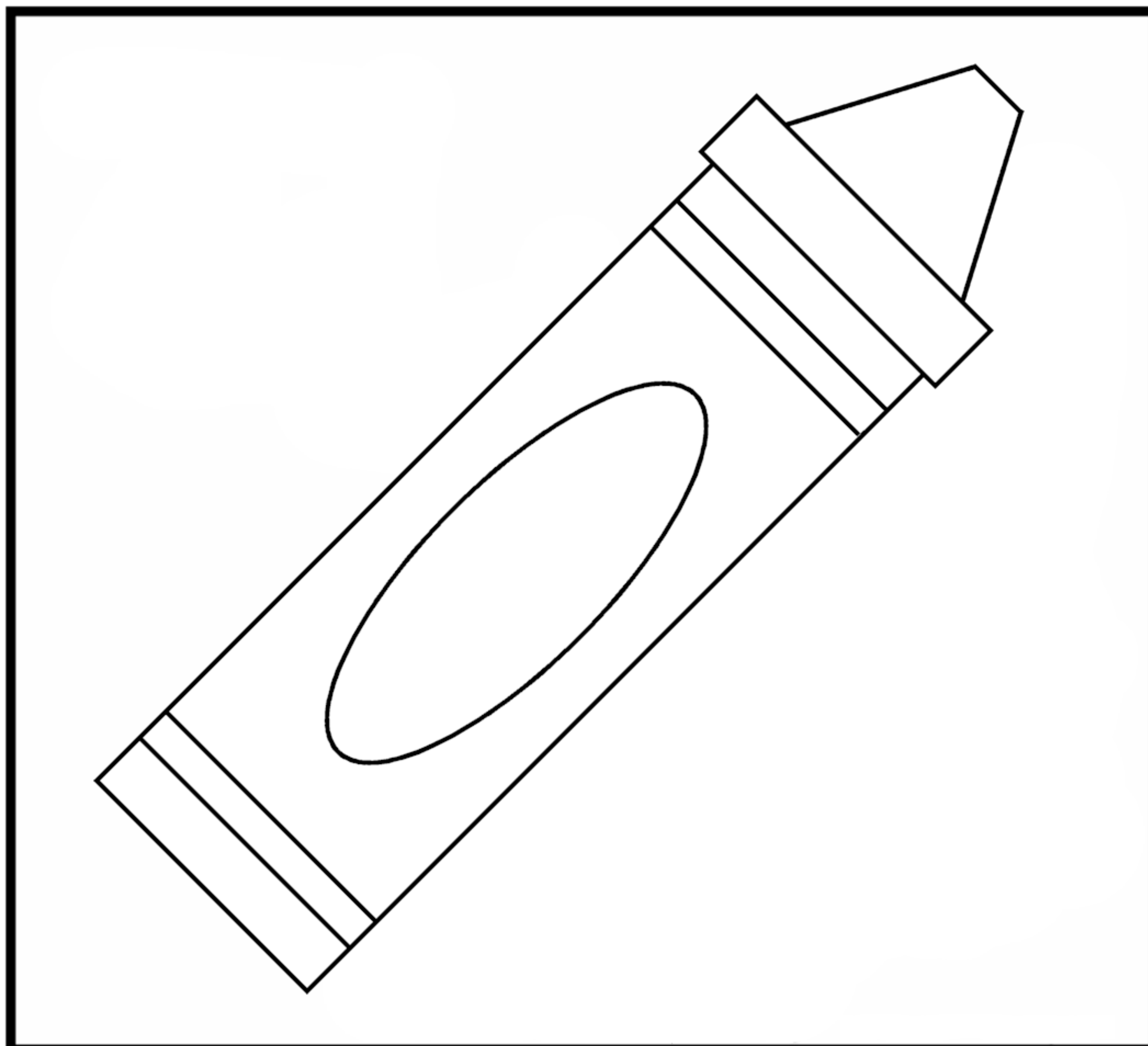
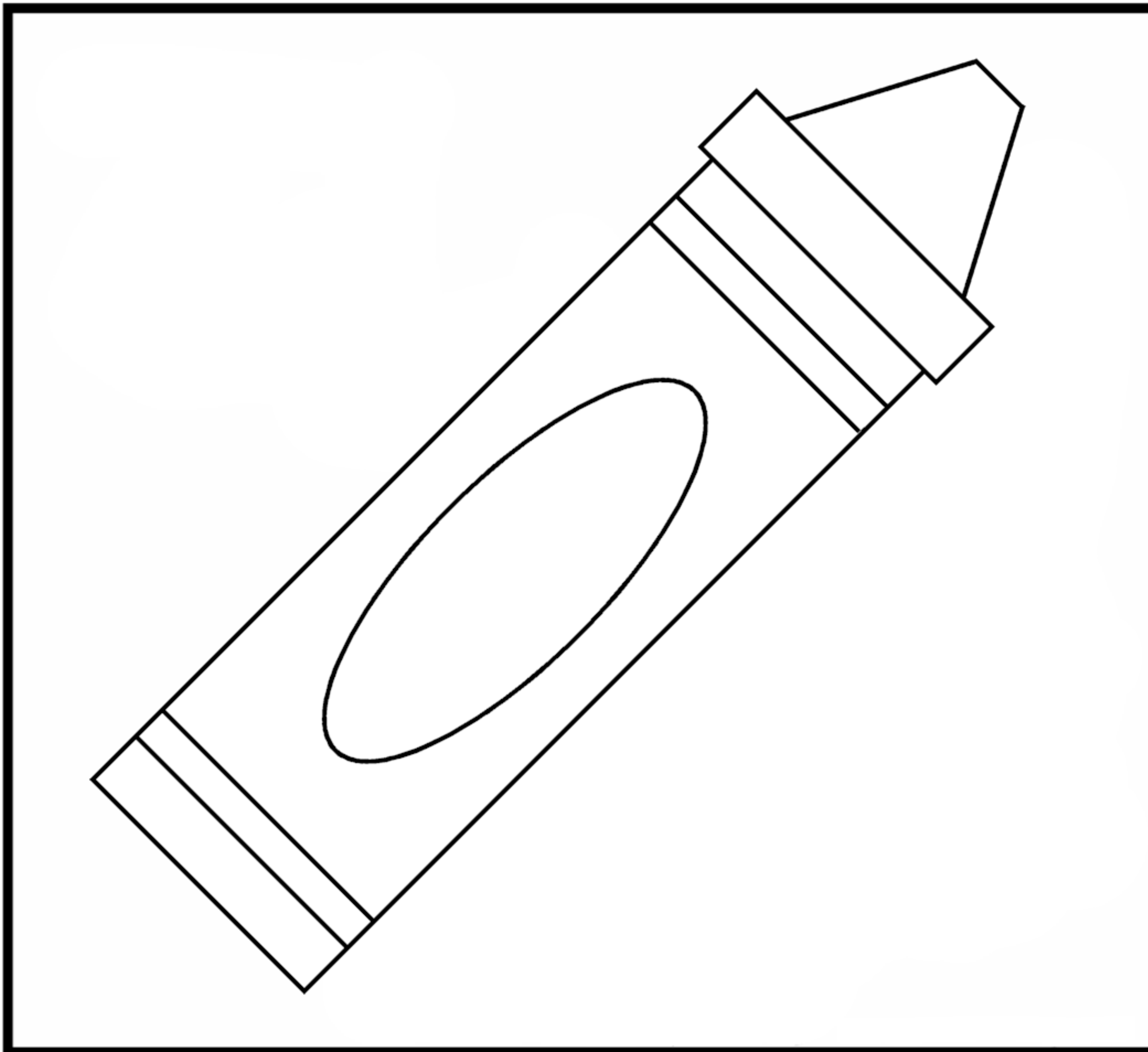
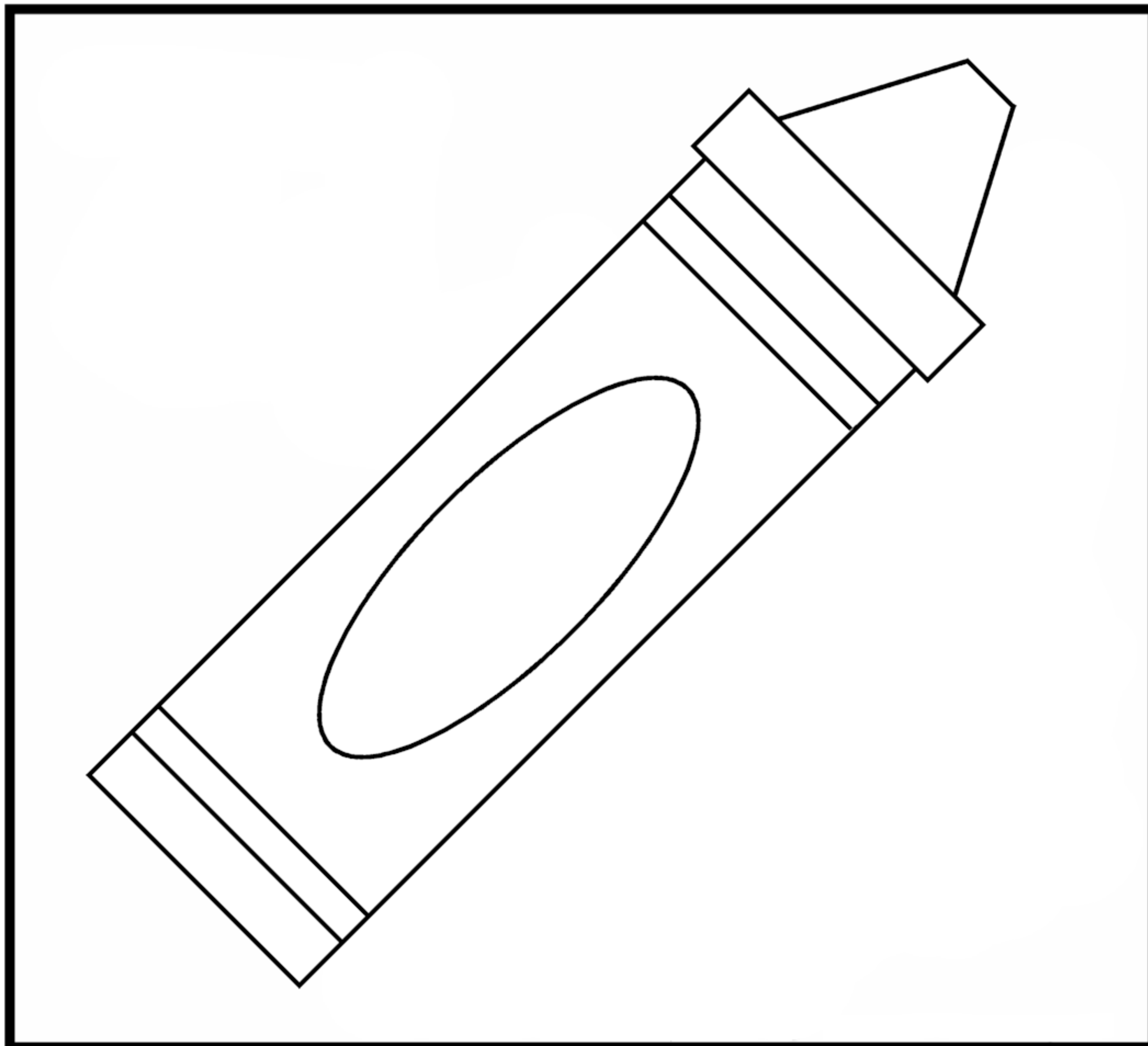




Crayon Color Matching - 3

Match the Spanish color word with the correct crayon card.





Crayon Color Matching - 3

Match the Spanish color word with the correct crayon card.

rojo

verde

azul

púrpura

anaranjado

amarillo



Crayon Color Matching - 3

Match the Spanish color word with the correct crayon card.

blanco

negro

gris

marrón