

Name: _____ Date: _____

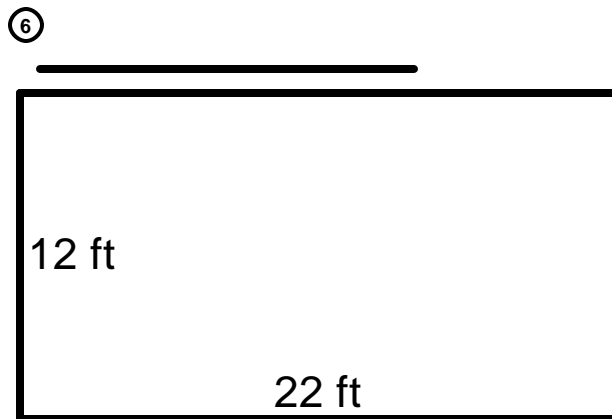
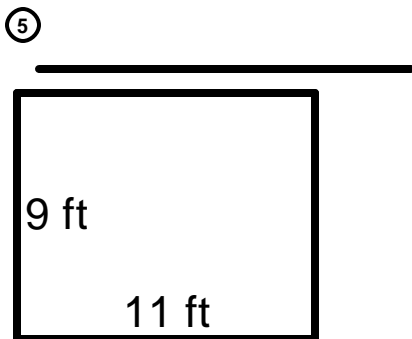
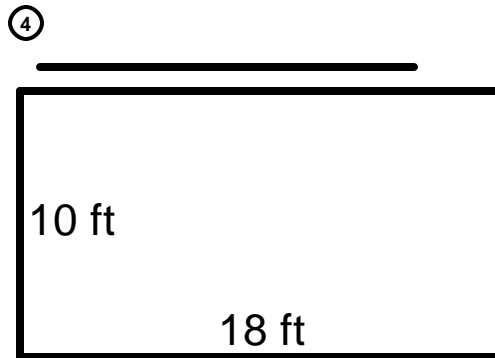
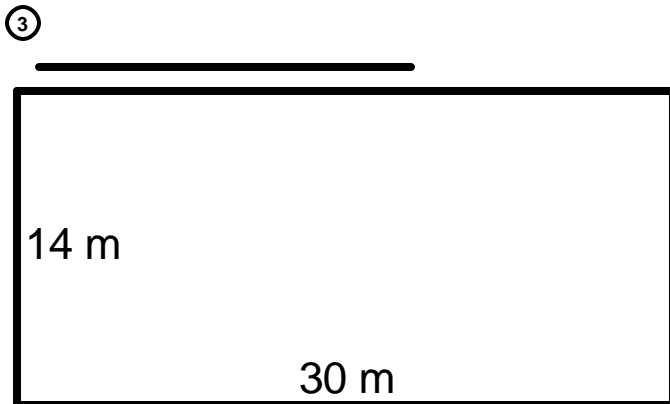
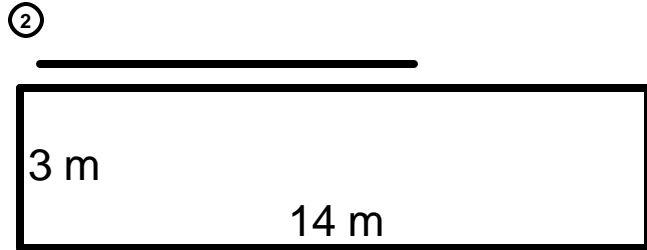
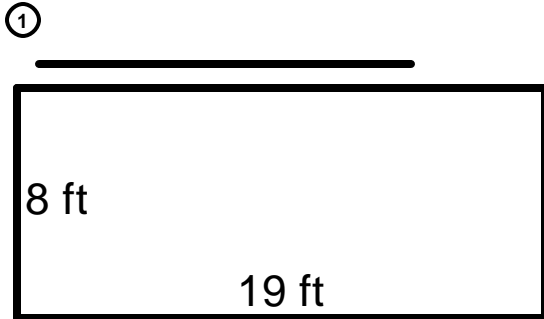
Perimeter and Area

What do you call a happy mushroom? A Fun-Guy!

Using the given measurements, find the area and perimeter of each rectangle.



www.atozteacherstuff.com



Name: _____

Date: _____

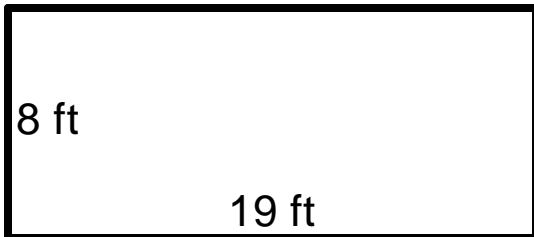
Perimeter and Area

What do you call a happy mushroom? A Fun-Guy!

Using the given measurements, find the area and perimeter of each rectangle.



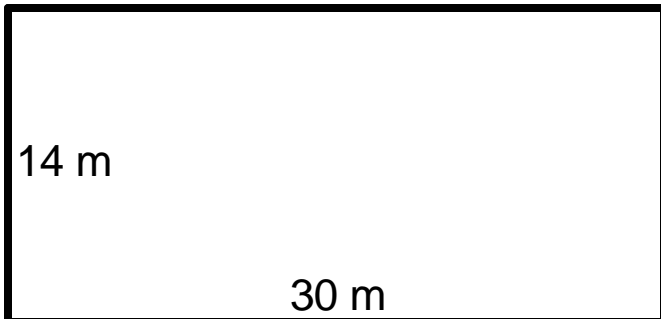
① $P=54\text{ft}$ $A=152\text{ft}^2$



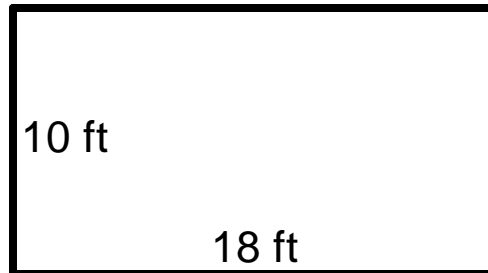
② $P=34\text{ m}$ $A=42\text{ m}^2$



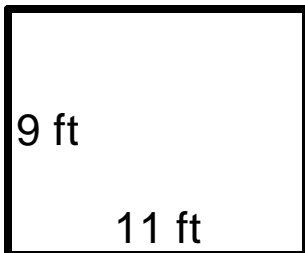
③ $P=88\text{ m}$ $A=420\text{ m}^2$



④ $P=56\text{ft}$ $A=180\text{ft}^2$



⑤ $P=40\text{ft}$ $A=99\text{ft}^2$



⑥ $P=68\text{ft}$ $A=264\text{ft}^2$

