

Name: \_\_\_\_\_ Date: \_\_\_\_\_

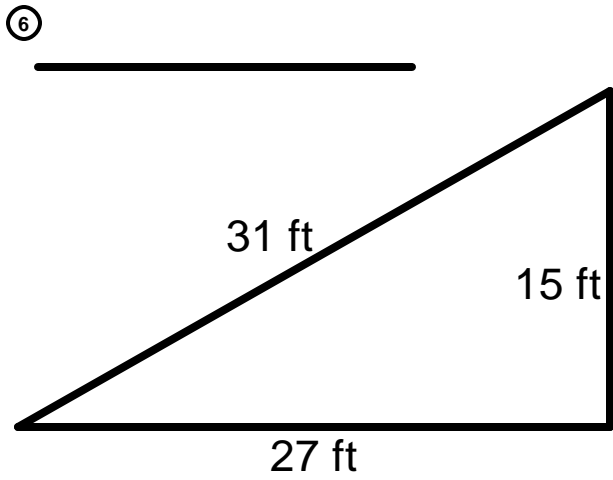
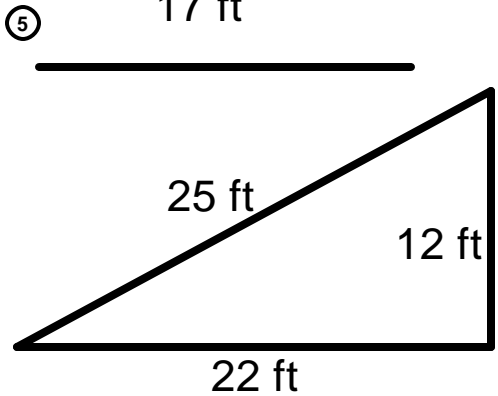
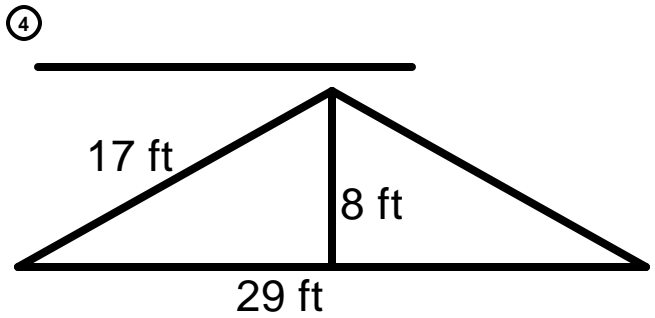
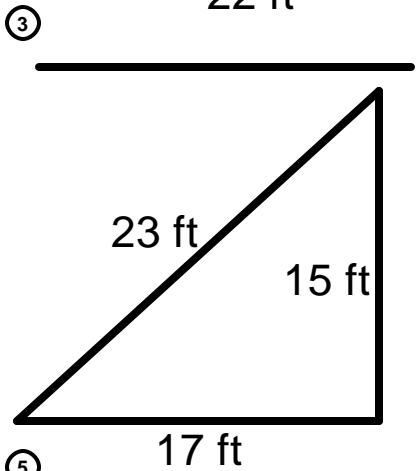
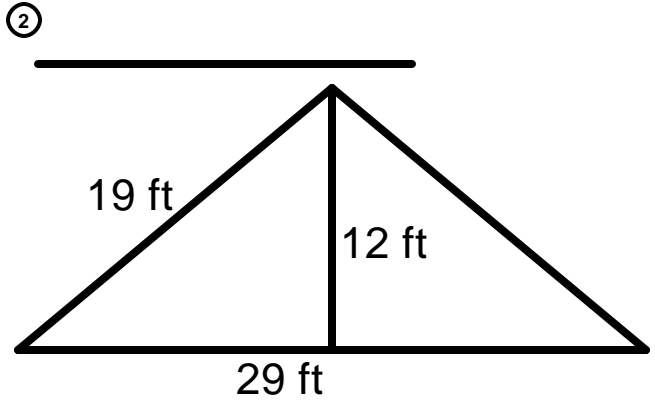
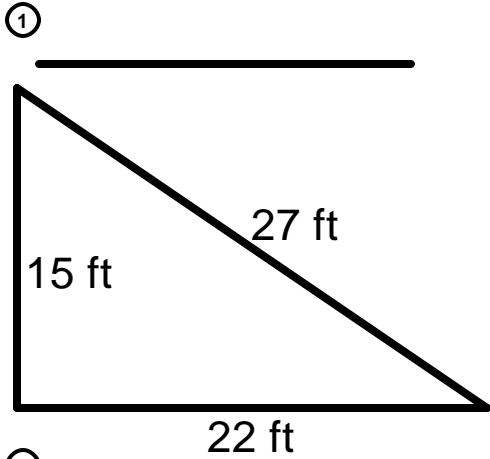
# Perimeter and Area

*What do you call a happy mushroom? A Fun-Guy!*



www.atozteacherstuff.com

Using the given measurements, find the area and perimeter of each triangle.



Name: \_\_\_\_\_

Date: \_\_\_\_\_

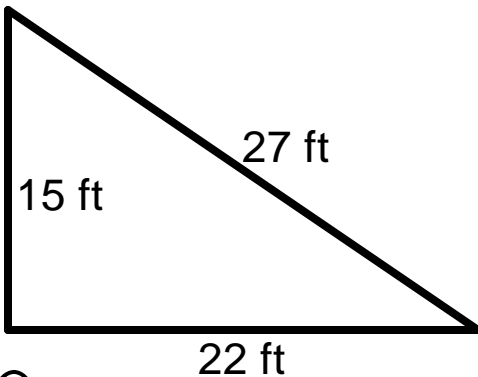
# Perimeter and Area

What do you call a happy mushroom? A Fun-Guy!

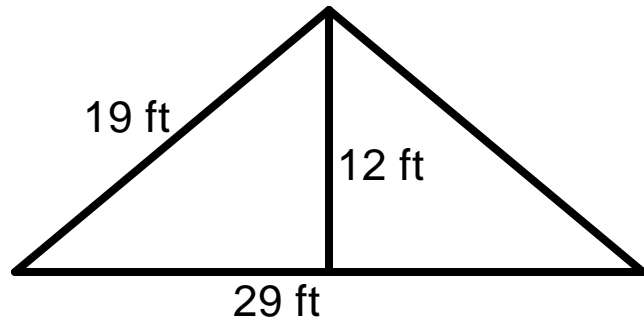
Using the given measurements, find the area and perimeter of each triangle.



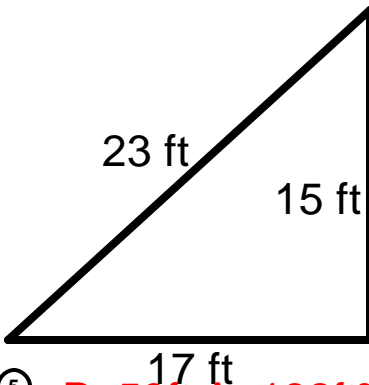
①  $P=64\text{ft}$   $A=165\text{ft}^2$



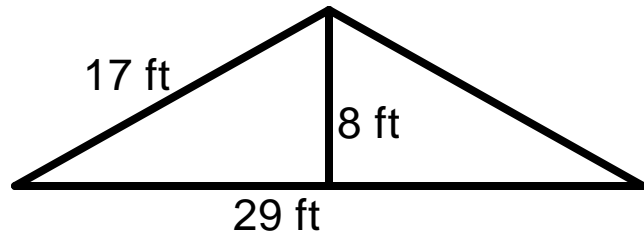
②  $P=67\text{ft}$   $A=174\text{ft}^2$



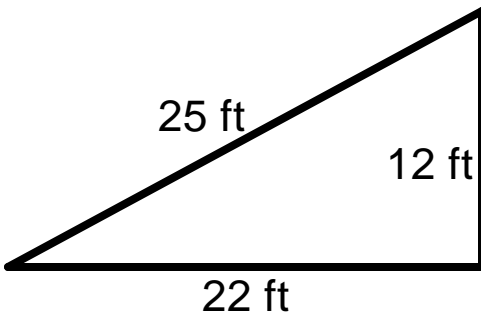
③  $P=55\text{ft}$   $A=128\text{ft}^2$



④  $P=63\text{ft}$   $A=116\text{ft}^2$



⑤  $P=59\text{ft}$   $A=132\text{ft}^2$



⑥  $P=73\text{ft}$   $A=203\text{ft}^2$

