

Name: _____ Date: _____

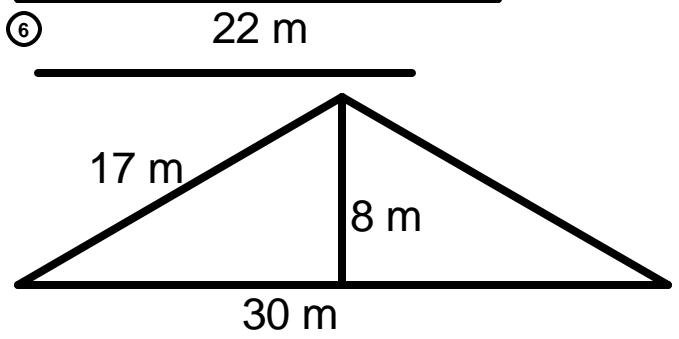
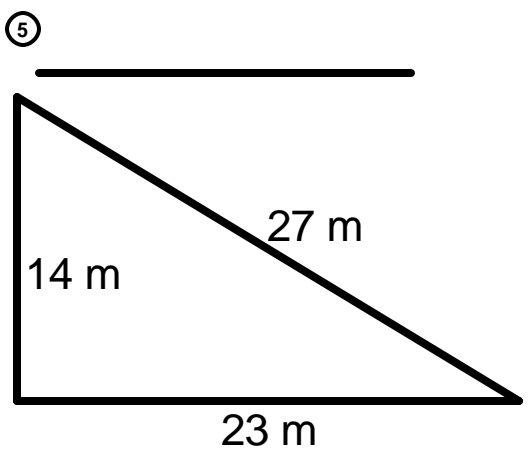
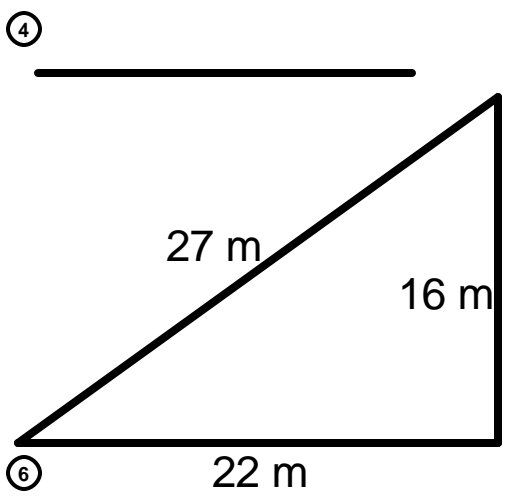
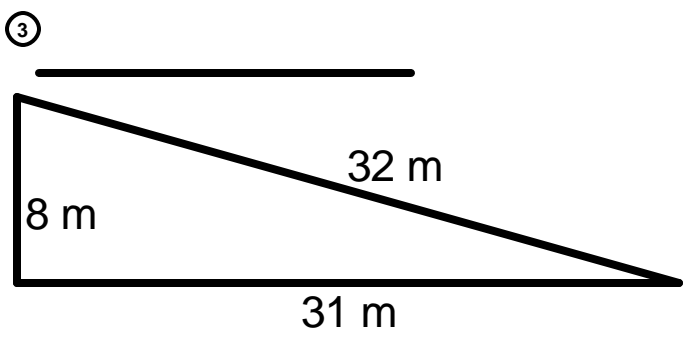
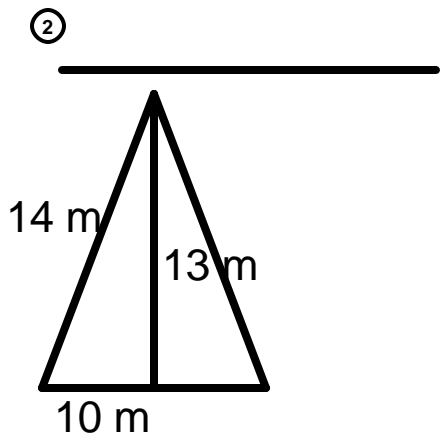
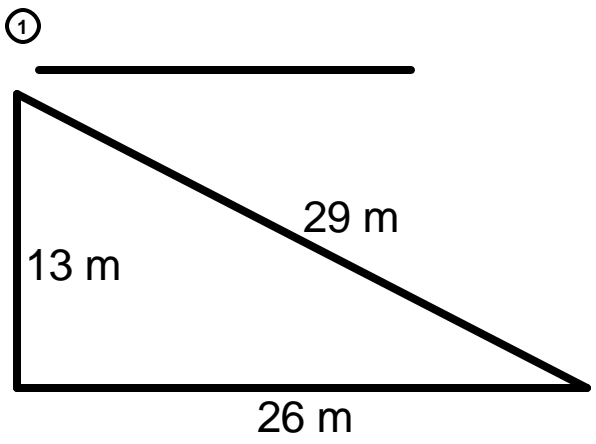
Perimeter and Area

Why do hummingbirds hum? Because they don't know the words?

Using the given measurements, find the area and perimeter of each triangle.



www.atozteacherstuff.com



Name: _____ Date: _____

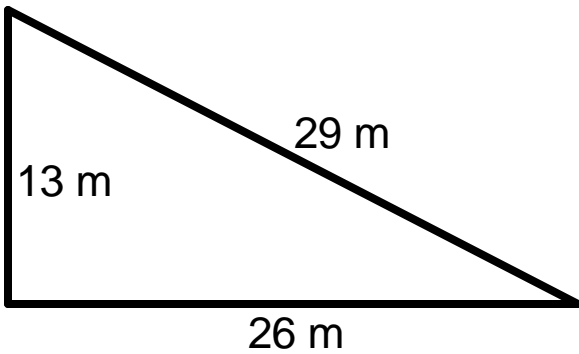
Perimeter and Area

Why do hummingbirds hum? Because they don't know the words?

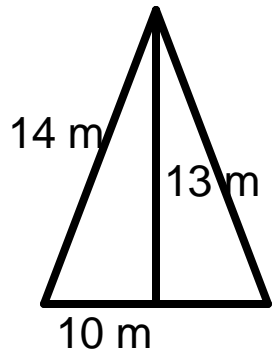
Using the given measurements, find the area and perimeter of each triangle.



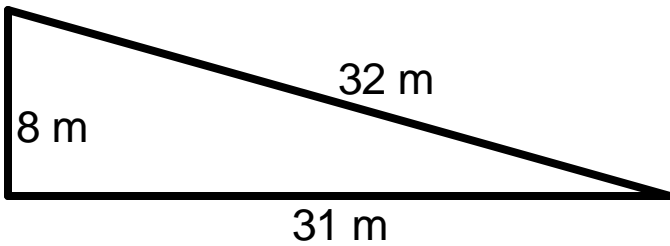
① $P=68\text{ m}$ $A=169\text{ m}^2$



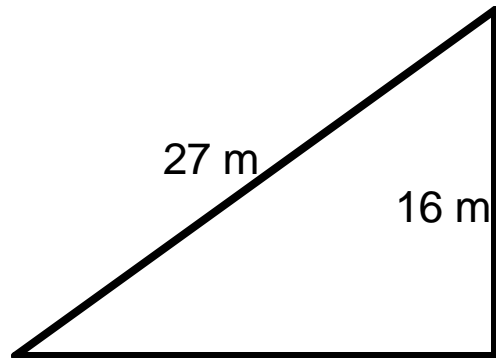
② $P=38\text{ m}$ $A=65\text{ m}^2$



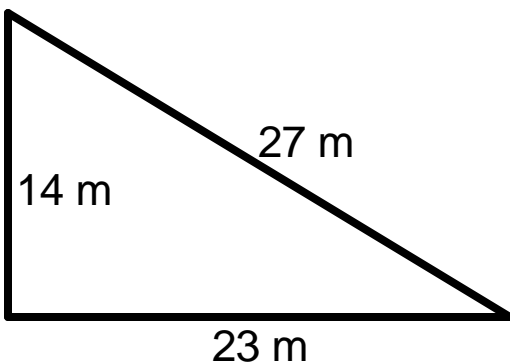
③ $P=71\text{ m}$ $A=124\text{ m}^2$



④ $P=65\text{ m}$ $A=176\text{ m}^2$



⑤ $P=64\text{ m}$ $A=161\text{ m}^2$



⑥ $P=64\text{ m}$ $A=120\text{ m}^2$

